

SAT-200-F8MP 200W

Flexible Solar Panel

Ideal for Balcony System in Europe

Quality system: ISO 9001: 2015



5 **YEAR**
Product Warranty



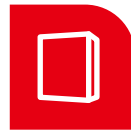
Aesthetic

Fully black design, exquisite appearance,
reducing light pollution
The original white design is also available



Lightweight

No glass modules, 70% lighter than
traditional glass modules



Independent packaging

Convenient for C-end sales



Customizable

Both size and electrical performance can be
customized to meet different scene requirements



DIY feature

Customers can install it themselves without
professional personnel

Electrical Characteristics(STC)

ITEM	SAT-200-F8MP
Maximum Power (Pmax)	200W
Maximum Power Voltage(Vmp)	15.30V
Maximum Power Current(Imp)	13.10A
Open-circuit Voltage(Voc)	18.55V
Short-circuit Current(Isc)	13.70A
Module Efficiency(%)	19.17%
Operating Temperature	-40 °C to 85 °C
Maximum System Voltage	1000VDC
Maximum Series Fuse Rating	20A
Application Class	Class II
Power Tolerance	0~+5 W

STC:Irradiance 1000W/m² , module temperature 25°C , AM=1.5

Mechanical Characteristics

Solar Cell	Monocrystalline silicon cell
Cell Size	182×91mm
No. of cells	54(9*2*3)
Module Dimensions	L:1140*W:915*H:3 mm L:1140*W:915*H:18 mm(J-Box included)
Weight	3.3kg
Backsheet	Black PV Backsheet/Original White
J-Box	IP 68
Output cables	Photovoltaic Technology Cable 4.0mm ²
Cable length	(+)/(-) 500 mm or Customized Length
Connector	MC4 compatible

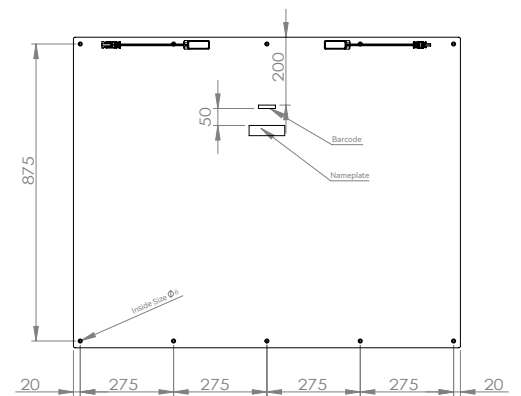
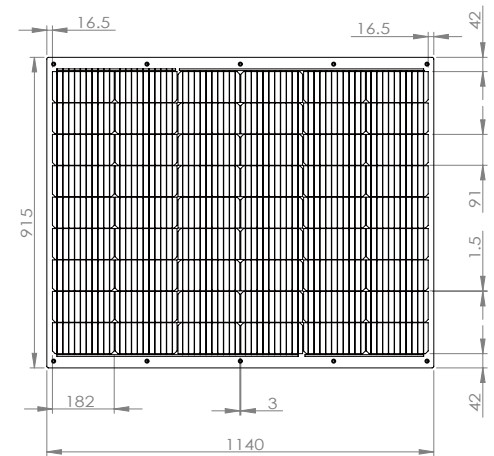
Temperature Characteristics

NOCT(Nominal Operating Cell Temperature)	41 ± 2°C
Temperature Coefficient of Pmax	-0.35%/°C
Temperature Coefficient of Voc	-0.25%/°C
Temperature Coefficient of Isc	0.050%/°C

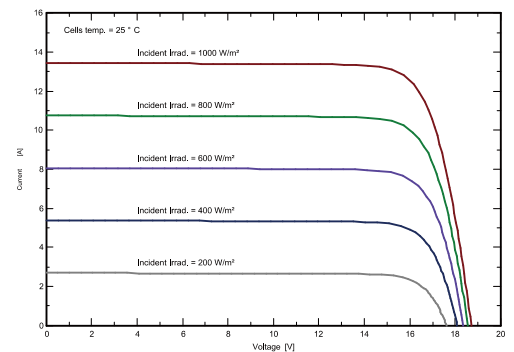
Packaging

Container	20'GP	40'HQ
Pieces per pallet	70	70
Pieces per container	1120	2520

Characteristics



I-V Curve



SER.VPP

Tel: 86-519-68763055

Web: www.seraphim-application.com

Email: info@seraphim-application.com